



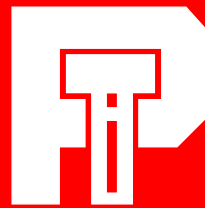
MODEL 55SS TRIPOD TURNSTILE

PEREY TURNSTILES

245 WESTCHESTER AVE, UNIT 866 PORT
CHESTER, New York 10573, USA

Tel. 203-333-9400

www.TURNSTILE.com



Since 1913
5 Year Warranty

Through the Generations,
People Turn to Perey.



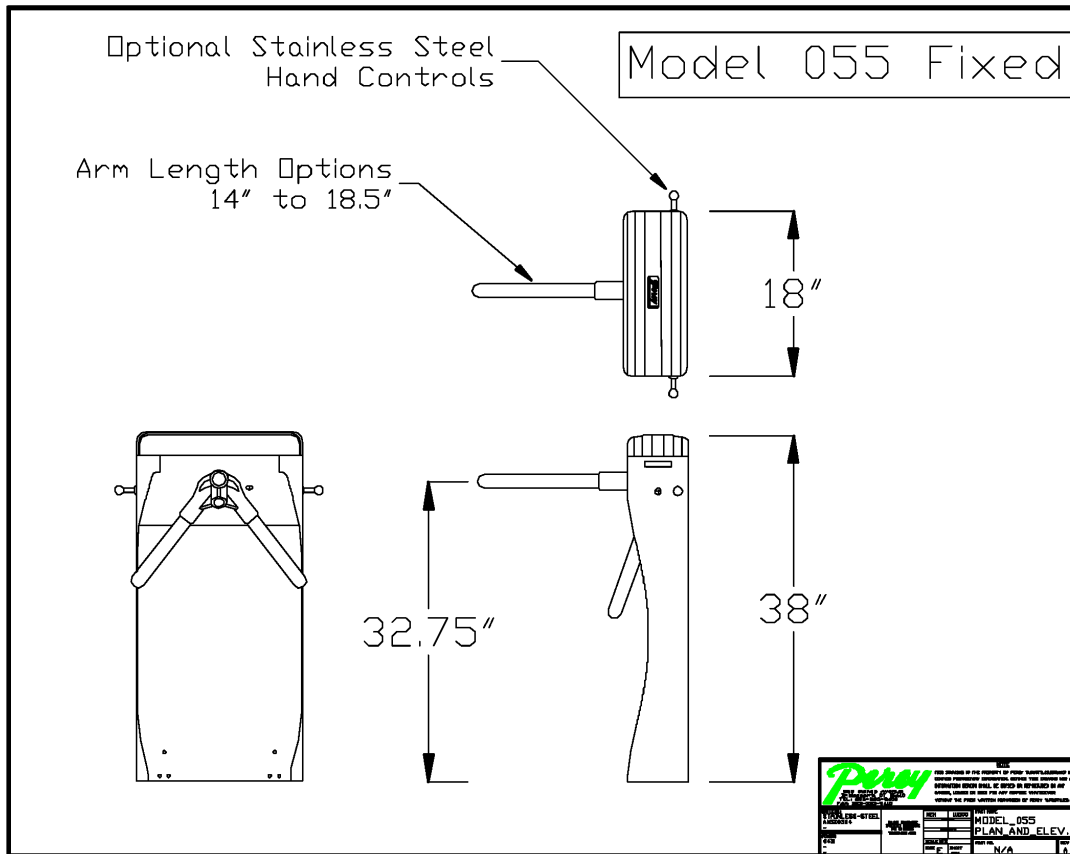
MODEL 55SS TRIPOD TURNSTILE

An economical alternative to the Model "HD" where accuracy and accountability are vital. Designed for the registration of persons passing through. ANSI #304 stainless steel lower cabinet, lid and arms. Tamper proof register and locked register cover. Has many safety features such as the rounded lid, spun closed arms and solid steel arm hub. Control options include foot controls, hand controls, one and two way operation.





MODEL 55SS TRIPOD TURNSTILE



Short Form Specification

WEIGHT: Fixed 110 lbs. Net - 160 lbs. Crated, Portable 185 lbs. Net - 235 lbs. Crated.

COVER: Deep drawn stainless steel, .078" thick, corners with 1-3/8" radii.

Cabinet: Welded single wall construction .105" thick. 2" blending outer wall radii, 1/4" thick steelbase plate.

Mechanical Mechanism: Ratchet of 1" x 6.5" machined cast iron. Use aided by springs of 0.175" dia. spring steel. Motion stabilized by large rotary shock absorber and 2" thick cast iron two-lobe cam. Self Centered by 2" steel compression shoe.

ARMS: Stainless steel tubing, .049" thick walls, spun closed ends.

HUB: Solid steel with solid steel taper pin mounting.

PORTABLE: 0.04" thick steel floor tread with up to 22" opening, force fit stainless steel railing with .0112 wall thickness hand-grip loops, 3.5" diameter solid rubber wheels.



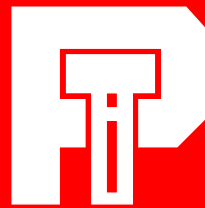
MODEL 55SS TRIPOD TURNSTILE

PEREY TURNSTILES

245 WESTCHESTER AVE, UNIT 866 PORT
CHESTER, New York 10573, USA

Tel. 203-333-9400

www.TURNSTILE.com



Since 1913
5 Year Warranty

Through the Generations,
People Turn to Perrey.